

## Application field

- Supermarkets/Hypermarkets
- Hotels
- Industries
- Farming

Set up on the hot water circuit, it allows to store calories. By installing a Ridel/Prem, you will be able to:

- Absorb consumption peaks
- Prevent the short cycles of your installation
- And thus decrease your energy consumption

## Specificities

- Can sustain a service pressure of 5 bar (7 and 10 bar on request)
- Side connecting pipe for multiple and simplified connexion
- 3 sensors pockets
- Draining at the the lowest point of the device
- Entry of the cold water at the lowest point of the tank, with deflector, to protect the stratification by orientation of the flow.

## Accessories

- Draining kit with shut-off valve
- Insulating jacket Euro Classified B-M1
- Thermometer
- Optional electric kit



## Delivery kit

- Plinths of 150 mm
- Installation and maintenance manuals
- Equipment delivered on wooden pallet or wooden boxes

## Dimensional characteristics

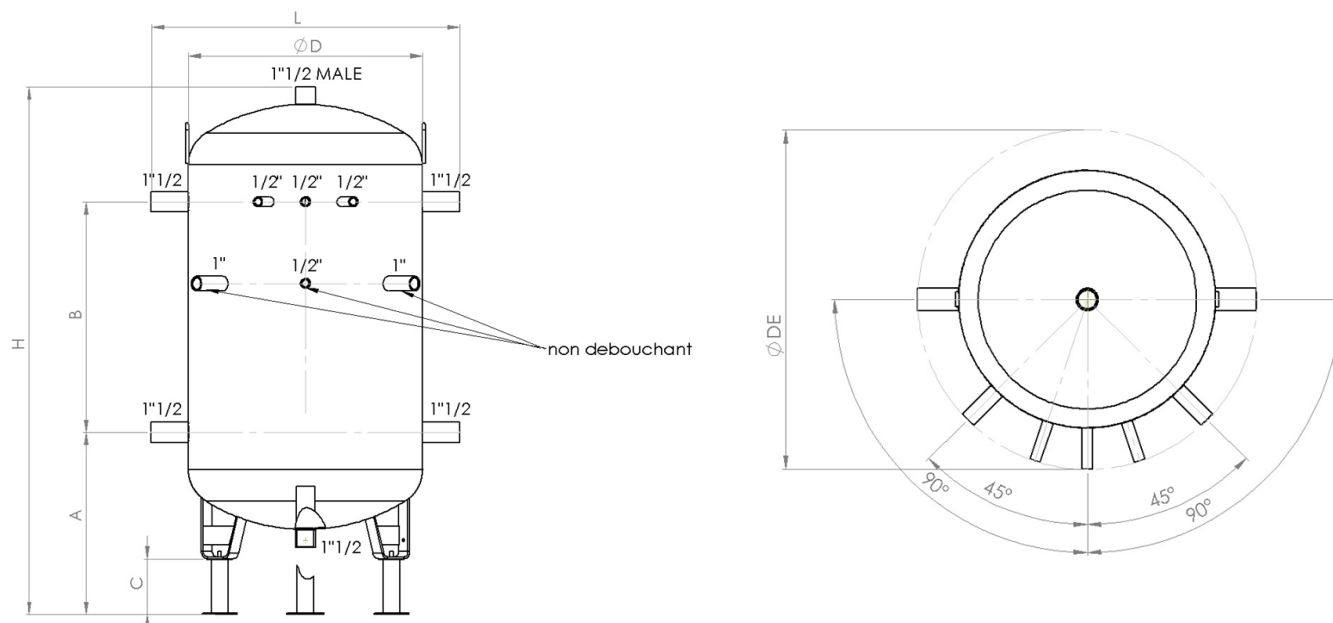
Liters	Ø D without insulation	H	L	A	B	C	ØDE	Weight with insulation (kg)
300	630	1 500	830	490	620	150	830	93
500	630	2 100	830	490	1 220	150	830	112
750	790	2 000	990	501	1 100	150	990	157
1 000	790	2 350	990	501	1 450	150	990	192
1 500	1 100	2 200	1 300	594	1 100	200	1 300	314
2 000	1 100	2 400	1 300	594	1 285	200	1 300	341
2 500	1 400	2 200	1 600	671	1 000	200	1 600	516
3 000	1 400	2 350	1 600	671	1 125	200	1 600	536

All dimensions are in millimeters

These quotations are given for information purposes. A P&ID will be sent to you at the order.

These range is available from 4 000 Litres to 20 M<sup>3</sup> on request

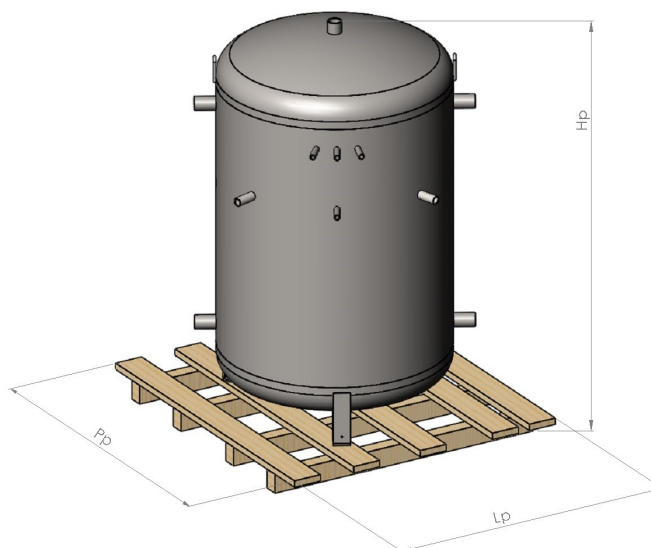
## Plan



## Delivery dimensions

LITERS	Lp	Pp	Hp
300	1 200	900	1 750
500	1 200	900	2 100
750	1 400	1 300	2 000
1 000	1 700	1 500	2 300
1 500	2 000	1 700	2 250
2 000	2 000	1 700	2 350
2 500	2 200	1 900	2 250
3 000	2 200	1 900	2 350

All dimensions are in millimeters



Photos non contractuelles