

RIDEL **KALD**

Our range of **enameled** ice water tank Ridel/Kald is specially designed for the storage of cold in domestic water. Save energy by optimizing the use of your refrigerating group!

Application fields

- Hotels
- Industries
- Farming

The most current application is the production of domestic cold water in 4°C for processes around fruits and vegetables.

Set up on the ice water circuit of a refrigerating plant, it allows you to accumulate cold. By installing a Ridel/Xeo, you will be able to:

- Absorb consumption peaks
- Prevent the short cycles of your installation
- And thus decrease your energy consumption

Specificities

- Complying with DIN 4753-3 and EN12897 regulations
- Can sustain a service pressure of 7 bar
- Available with on the choice of handholes (DN110mm) or a manhole (DN400mm)
- Side connecting pipe for multiple and simplified connexions
- 3 sensors pockets
- Total draining in the the lowest point of the device
- Insulating jacket designed to avoid any phenomenon of condensation
- Injected PU foam classified M1 Ep. 40mm / Density : 40 kg/m³ (+/- 2kg)
- Insulation jacket in aluminium or stainless steel.

Accessories

- Draining kit with shut-off valve
- Optional electric immersion heater



Delivery kit

- Plinths of 150 mm
- Installation and maintenance manuals
- Equipment delivered on wooden pallet

Photos non contractuelles

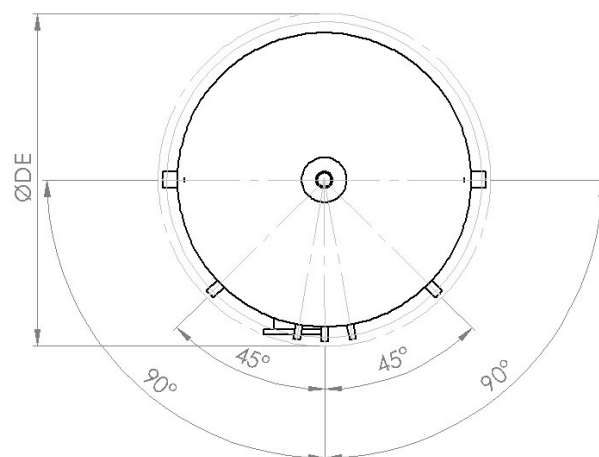
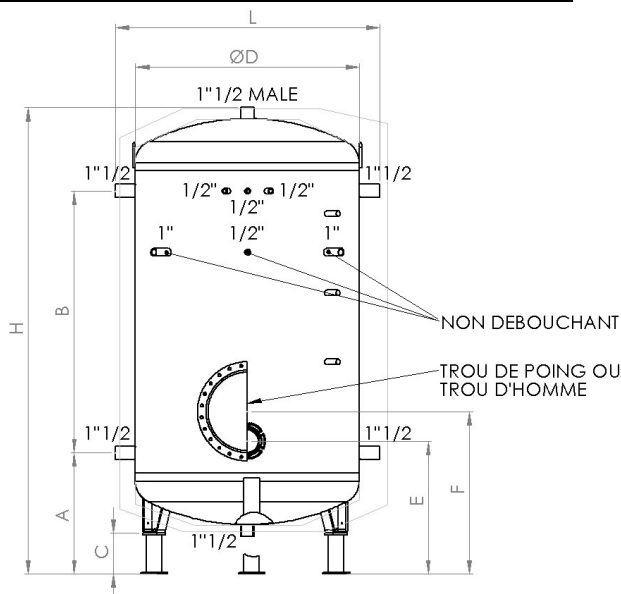
Dimensional characteristics

Liters	Ø D Without insulation	H	L	A	B	C	ØDE	Weight with insulation (kg)
300	630	1 500	830	490	620	150	830	90
500	630	2 100	830	490	1 220	150	830	125
750	790	2 000	990	501	1 100	150	990	230
1 000	790	2 350	990	501	1 450	150	990	280
1 500	1 100	2 200	1 300	594	1 100	200	1 300	400
2 000	1 100	2 400	1 300	594	1 285	200	1 300	430
2 500	1 400	2 200	1 600	671	1 000	200	1 600	560
3 000	1 400	2 350	1 600	671	1 125	200	1 600	590

All dimensions are in millimeters

These quotations are given for information purposes. A P&ID will be sent to you at the order.

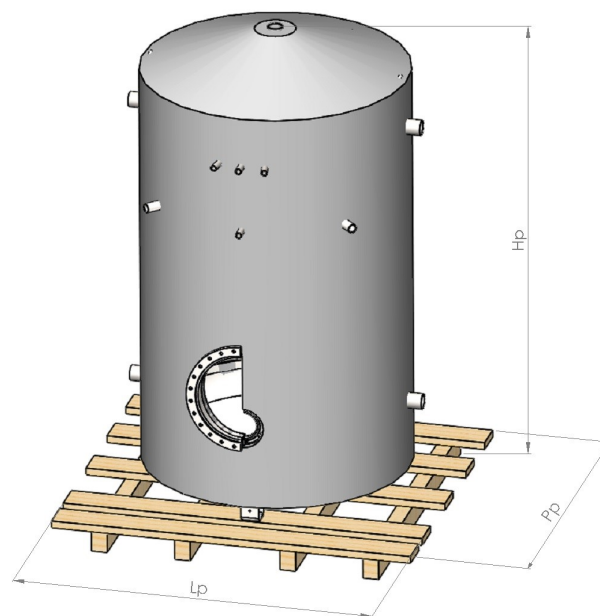
Plan



Delivery dimensions

LITERS	Lp	Pp	Hp
300	1 200	900	1 750
500	1 200	900	2 100
750	1 400	1 300	2 000
1 000	1 700	1 500	2 300
1 500	2 000	1 700	2 250
2 000	2 000	1 700	2 350
2 500	2 200	1 900	2 250
3 000	2 200	1 900	2 350

All dimensions are in millimeters



Photos non contractuelles